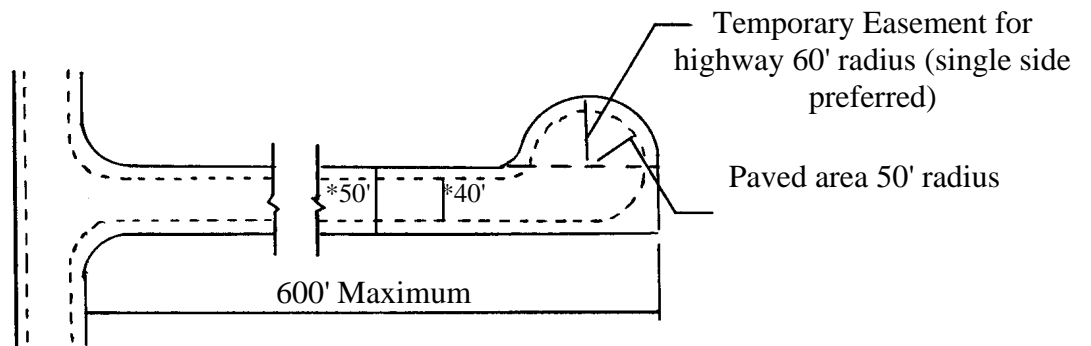
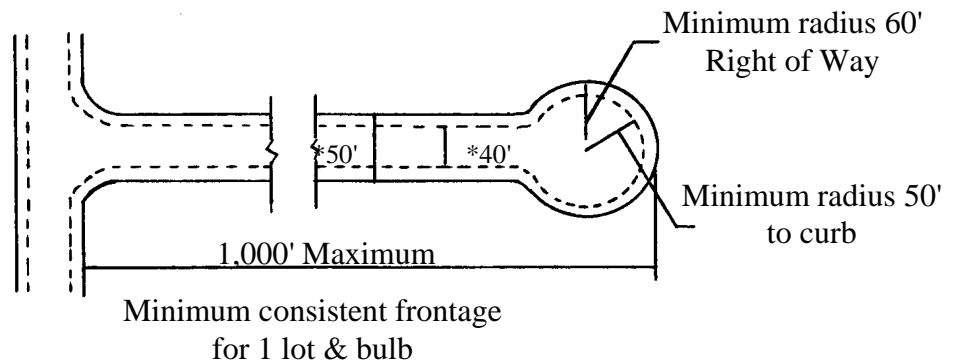


APPENDIX C. FIGURE IV CUL-DE-SAC.

Temporary Dead-End



Cul-De-Sac



* Reduce proportionately for 50' and 44' Right of Way's